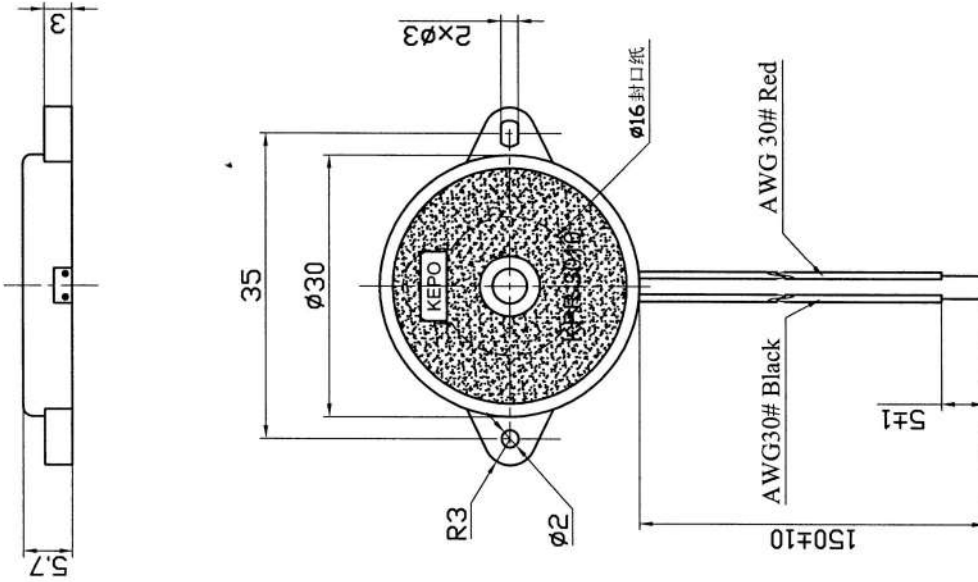
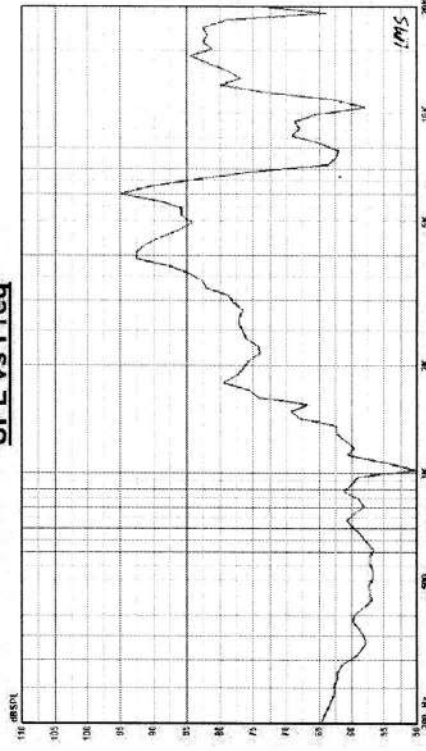


# Specifications

1. Rated Voltage.....12Vp-p Square Wave
2. Operating Voltage.....3~30Vp-p Square Wave
3. Max. Rated Current.....4mA
4. Min. Sound Pressure Level.....75dB/30cm
5. Capacitance at 100Hz ..... 45000 ±30%pF
6. Resonant Frequency.....1.3±0.5KHz
7. Shell Material/Color.....ABS/Black
8. Operating Temperature.....-20~+60°C
9. Store Temperature.....-30~+70°C
10. Weight.....4g



SPL vs Freq



<b>KEPO</b> NINGBO KEPO ELECTRONIC CO.,LTD <a href="http://www.chinaacoustic.com">http://www.chinaacoustic.com</a>	
<b>KPR-3010 QUARTZ-1</b>	
No. DESCRIPTION TOLERANCES UNLESS OTHERWISE SPECIFIED XX ± XXX ± XXXX ± W° ANGLES FIRST ANGLE PROJECTION	APPROVED DATE APPROVALS DATE DRAWN CHECKED APPROVED
UNIT: mm SCALE: NOT TO SCALE SHEET: 7 VER: 1.1	DWG NO: OEM2820 DATE: 08.03.10